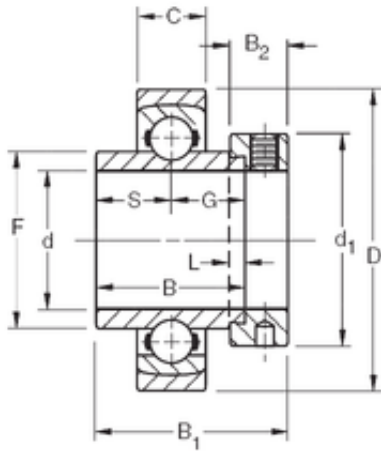




## Bearing Driveshaft USA CORP.



### 68,2625 mm x 165 mm x 68,26 mm TIMKEN SMN211KS Insert Bearings Spherical OD

Bearing No. SMN211KS

Size	68.2625x165x68.26 mm
Bore Diameter	68,2625 mm
Outer Diameter	165 mm
Width	68,26 mm
d	68,2625 mm
D	165 mm
B	68,26 mm
C	35 mm
d1	101,6 mm
B1	92,1 mm
B2	27 mm
F	94,7 mm
G	34,1 mm
L	6,4 mm
S	34,1 mm
Weight	5,185 Kg
Basic dynamic load rating (C)	116 kN

SMN211KS Bearing 2D drawings and 3D CAD models