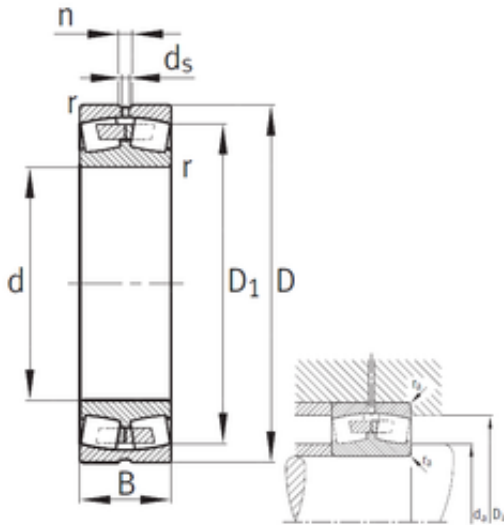




Bearing Driveshaft USA CORP.



220 mm x 340 mm x 118 mm FAG 24044-B-K30-MB Spherical Roller Bearings

Bearing No. 24044-B-K30-MB

24044-B-K30-MB Bearing 2D drawings and 3D CAD models

| | |
|-------------------------------|----------------|
| Size | 220x340x118 mm |
| Bore Diameter | 220 mm |
| Outer Diameter | 340 mm |
| Width | 118 mm |
| d | 220 mm |
| D | 340 mm |
| B | 118 mm |
| C | 118 mm |
| n | 12,2 mm |
| r min. | 3 mm |
| D1 | 297,4 mm |
| da min. | 232,4 mm |
| Da max. | 327,6 mm |
| ra max. | 2,5 mm |
| d5 | 6,3 r/min |
| Weight | 38,9 Kg |
| Basic dynamic load rating (C) | 1400 kN |
| Basic static load rating (C0) | 2700 kN |
| Fatigue load limit (Pu) | 139 |
| Reference speed | 1 070 r/min |
| Limiting speed | 1 300 r/min |
| Calculation factor (e) | 0,34 |
| Calculation factor (Y0) | 1,92 |
| Calculation factor (Y1) | 1,96 |